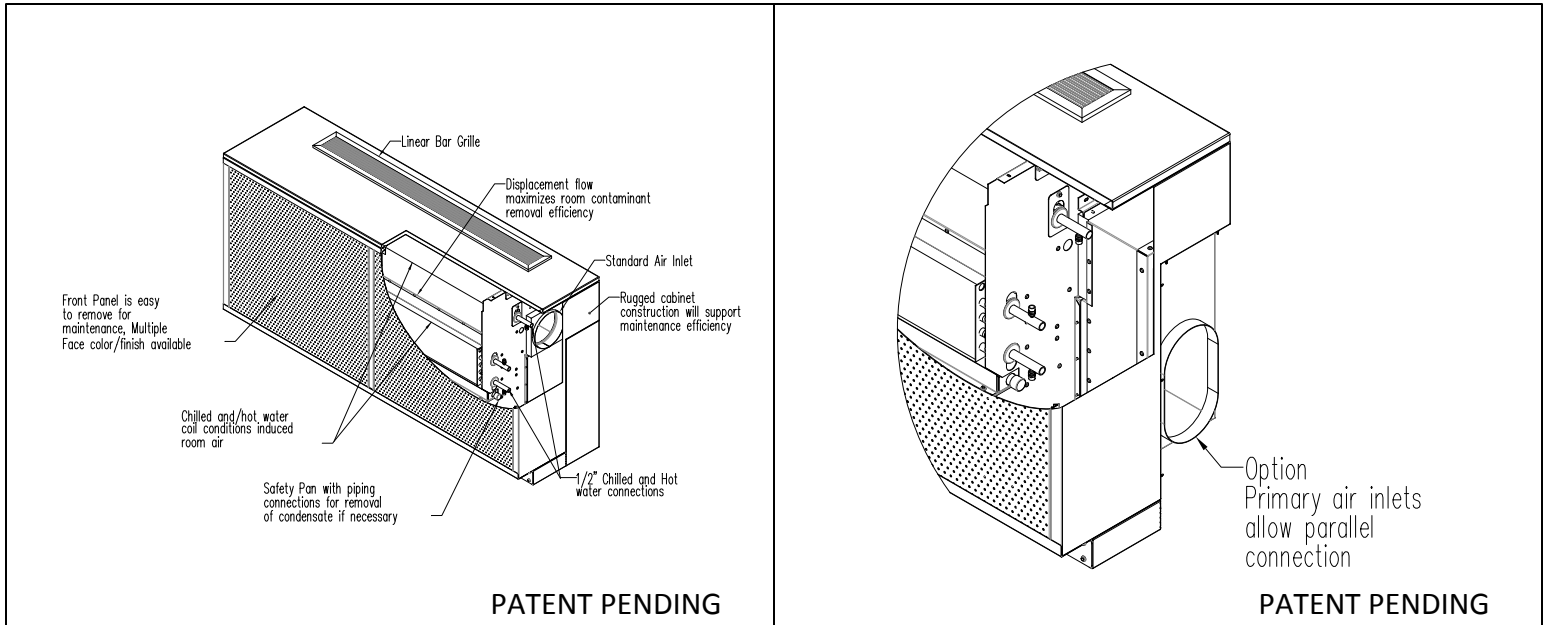


TAO

TAO – Temperature Ambient Optimizer Floor Mounted Chilled Beam with Perimeter Heating Coil



Basic Unit Configuration

Check if provided

Length

- 5 ft
- 6 ft

Air Inlet Option

- Standard 6" Air Inlet
- Quick Connect 8" Oval Trunk Duct

Vertical Safety Pan

- Removable Safety Pan
- No Safety Pan

Piping Connection

- Smooth
- Male Pipe Thread

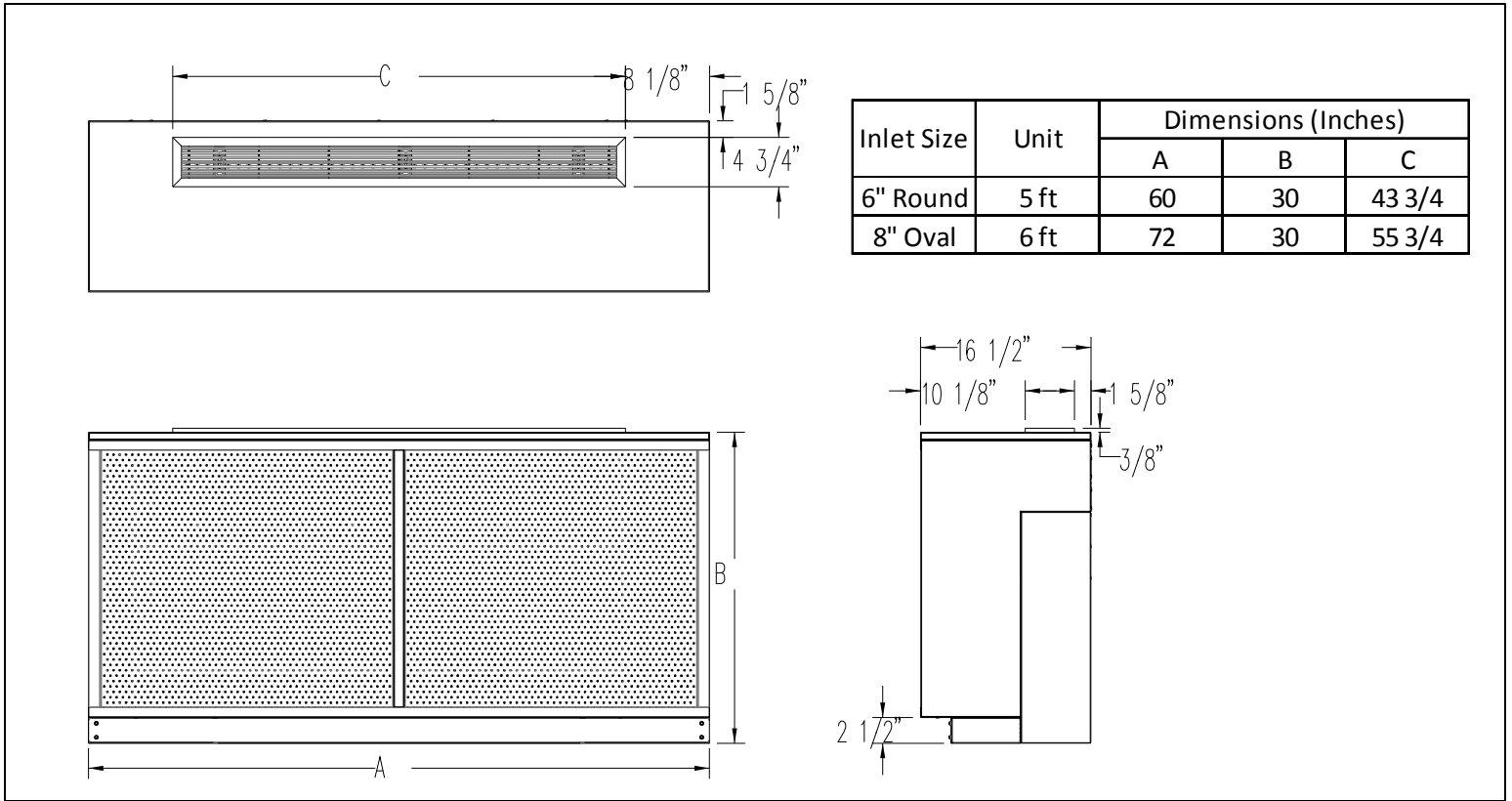
General Description

- Floor Mounted, under the sill or fully exposed active chilled beam targets educational and health care facilities and hallways.
- Perfect for climate zones with heat loads greater than 250 Btuh per foot.
- Designed to meet the highest ventilation effectiveness required in schools and health care facilities while maximizing the hydronic system to handle the sensible load.
- Pencil proof grille
- Maximizes the displacement ventilation benefits and enhances the removal of space respiratory contaminants.
- Circular perforated front face for the return air.
- Ultra quiet operation.
- Dedicated heating coil to neutralize the thermal load of the window or perimeter wall.
- 2x2 pipe vertical mounted coil with removable condensate tray for cooling during summer and to provide supplemental heating for winter.
- Coils are factory leak tested at 300psi.
- Manual air vent provided as standard. Optional coil drain.
- Heavy gauge painted cabinet.
- 1/2" coil connections as standard.
- Pressure port for air-side balancing and flow verification.
- Available in 5 and 6 ft length to match different classroom spaces and loads.
- Optional integral primary air parallel duct connection to minimize air pressure drop, noise, and ease of installation.

DIMENSIONS

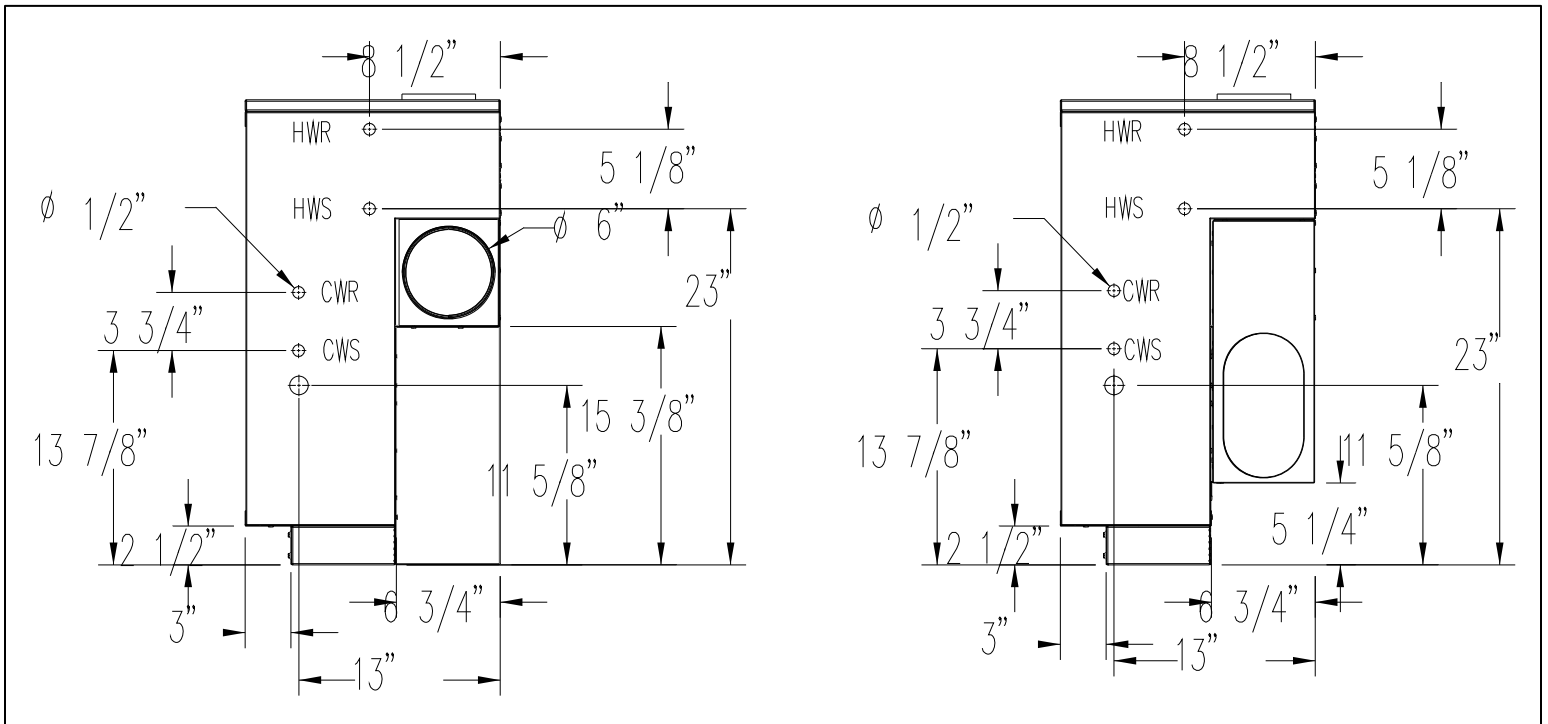
TAO-2.1 07-16-14

TAO UNIT DIMENSIONS



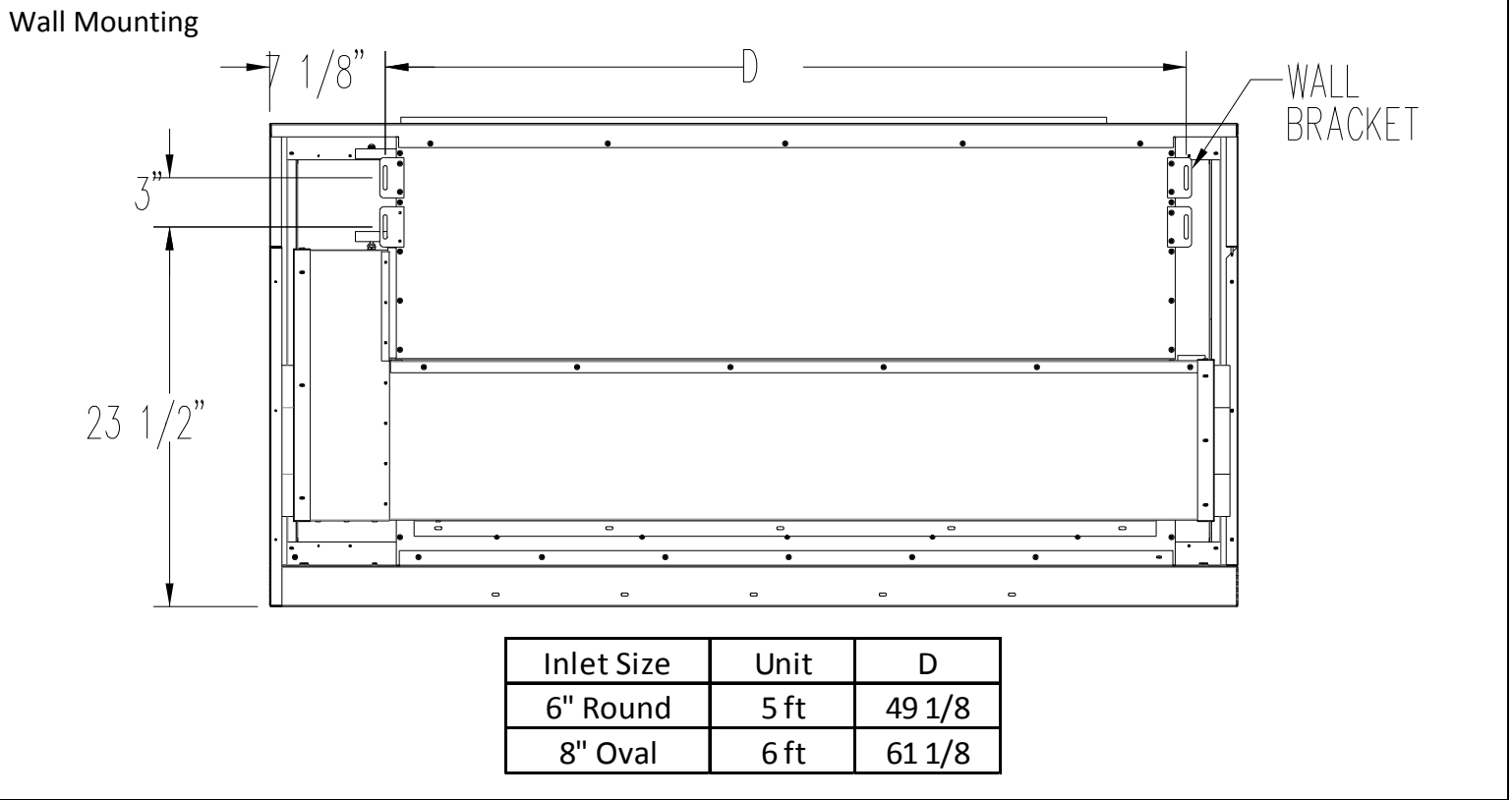
6" ROUND INLET FOR STAND-ALONE APPLICATIONS

8" OVAL INLET FOR MULTI-UNIT APPLICATIONS

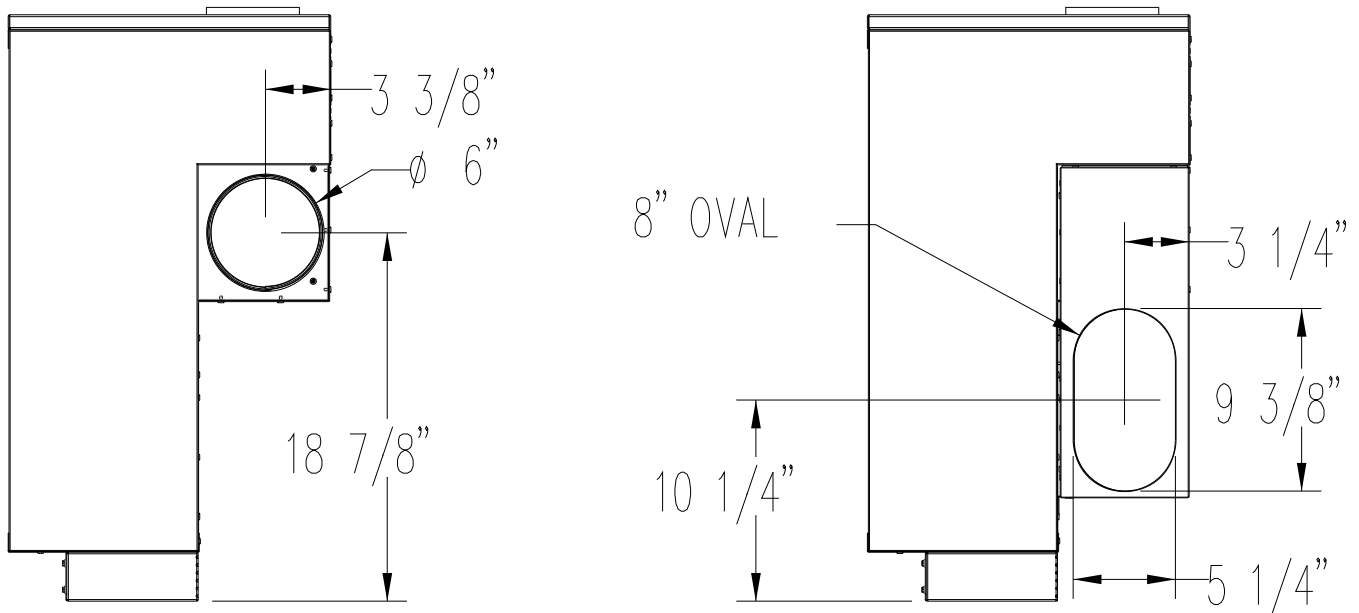


ALL DIMENSIONS ARE IN INCHES

TAO UNIT DIMENSIONS



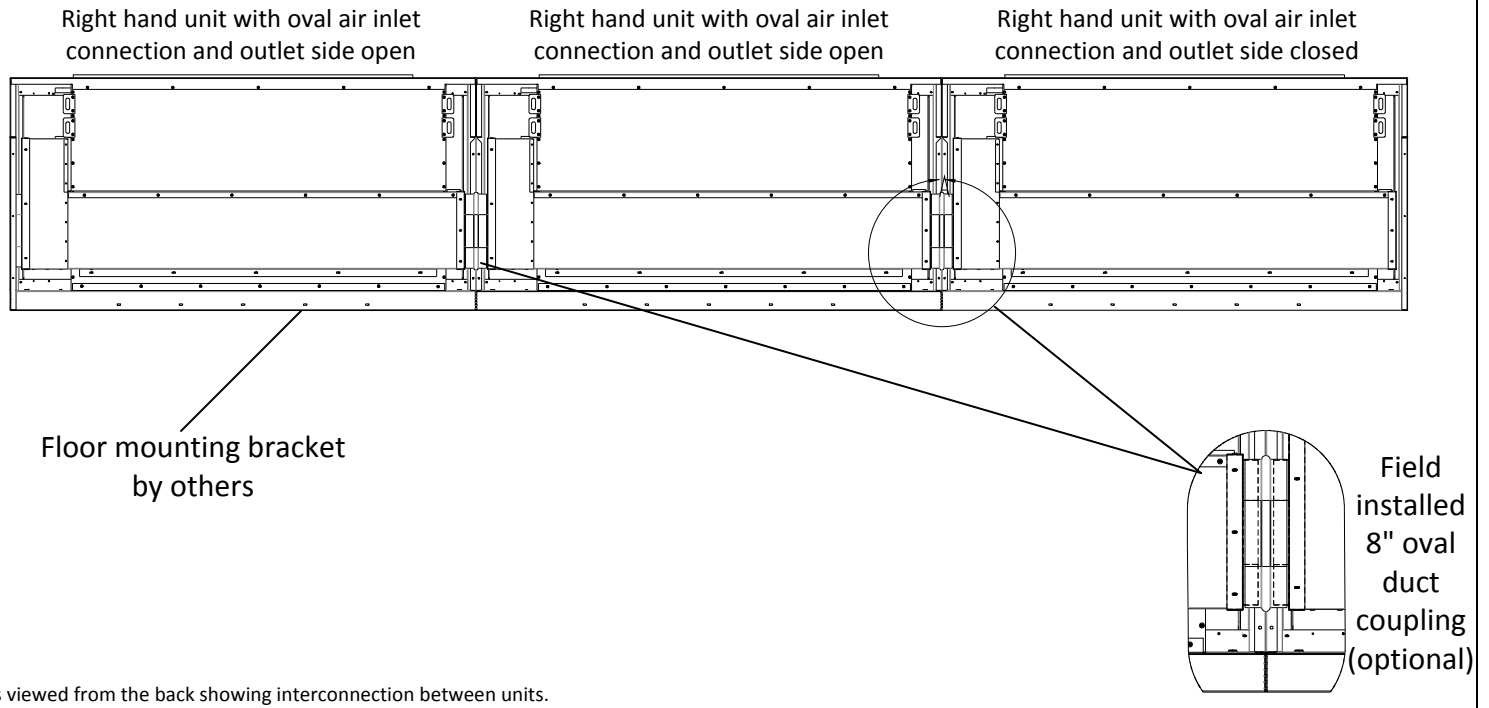
Duct Connections (Stand-alone configuration shown)



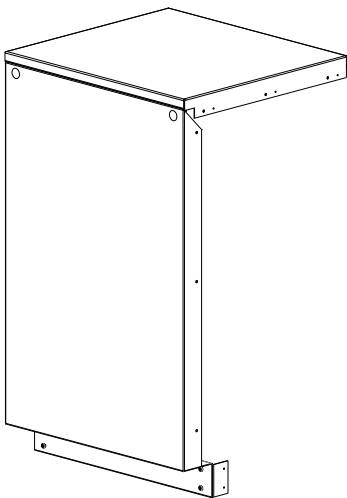
ALL DIMENSIONS ARE IN INCHES

TAO

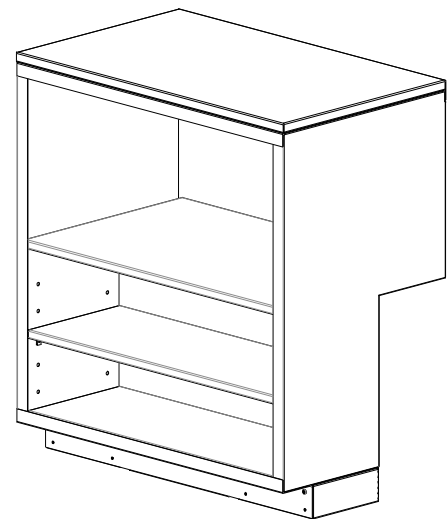
Multiple Units Connected in Parallel



Filler Panel & Bookshelf Details



Filler Panel (optional)



Bookshelf Filler Panel (Optional)